

Palm Grip

B20



The Palm Grip B20 has different equipment options for many requirements. It is compatible with our Multi-axis controller or mounted on Hydraulic drives. The Palm Grip has a highly flexible single wire (0,1 mm², 450 mm long). The mounting piece for the drive rod can be supplied with a tapped hole 12 mm.

Technical data

| | |
|-----------------------|------------------------------------|
| Operating temperature | -40°C to +85°C |
| Degree of protection | Control element up to IP67 |
| Contact complement | 1,5A 24 V DC13 (*1 0,1A 24 V DC13) |

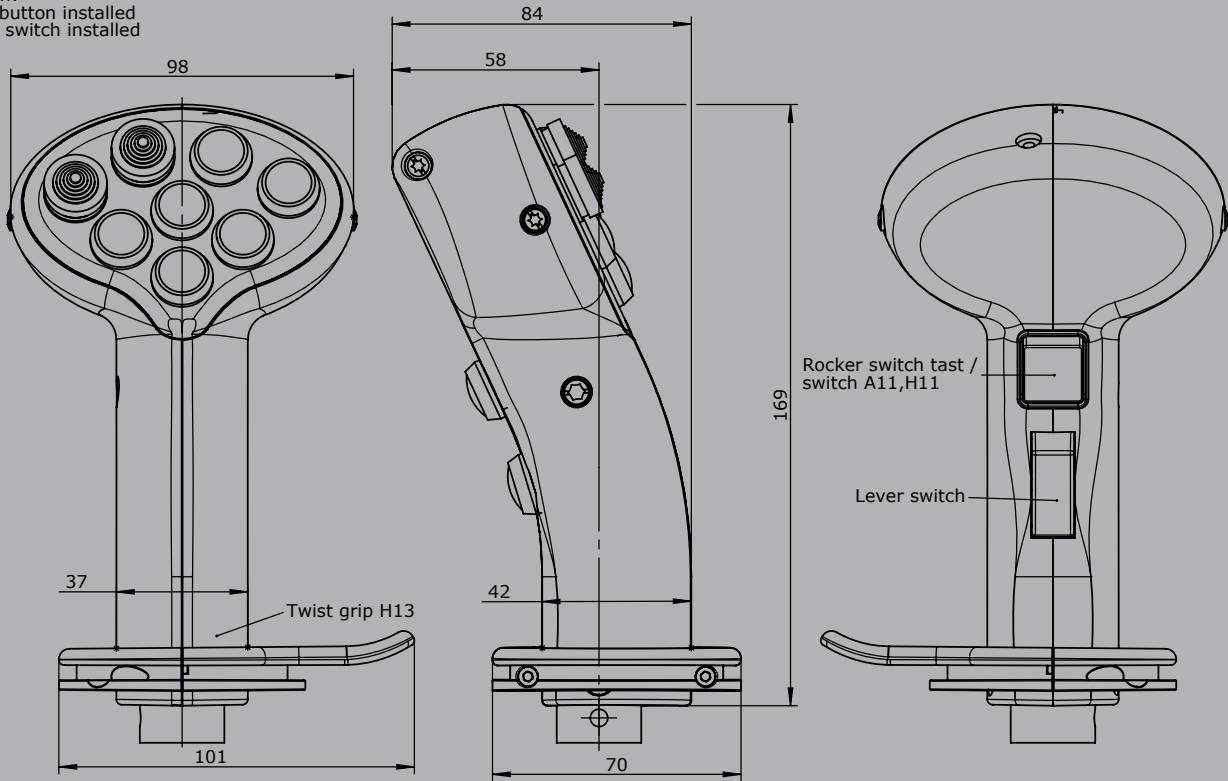


| | | Example | | | | | | |
|----------------------------------|---|---------|-----|---|---|-----|-----|------------|
| | | B20L | -2D | W | K | V21 | H13 | -X |
| Basic unit | | | | | | | | |
| B20L | Palm Grip left with hand pad | | | | | | | |
| B20R | Palm Grip right with hand pad | | | | | | | |
| Digital actuating element | | | | | | | | |
| D | Push Button KDA21 *1 Colour: red, black, yellow, green, blue, white, orange | | | | | | | |
| HD | Hall-push Button (see page 167) | | | | | | | |
| W | Rocker switch momentary (T) or maintained (R), colours: red, black, yellow, blue, white Mechanical functions: T-0-T, 0-T, R-0-T, R-0-R, 0-R, R-R | | | | | | | |
| K | Lever switch | | | | | | | |
| SE | Sensor Button capacitive with external control electronics | | | | | | | |
| S | Sensor Button capacitive without external control electronics (Consistent with V85 / VV85 with interface E1xx to E6xx, E907 and V25/V27 with interfaces E3xx + E4xx) | | | | | | | |
| Analog actuating element | | | | | | | | |
| S12 | Hall-thumb rocker (see page 108) Output 0,5...2,5...4,5 V inverse dual | | | | | | | |
| V21 | Hall-Minijoystick (see page 53) Output 0,5...2,5...4,5 V inverse dual | | | | | | | |
| HK | Hall-cross Switch (see page 164) | | | | | | | |
| P9 | Thumbwheel with potentiometer | | | | | | | |
| H13 | Hall-Rotary Grip Output 0,5...2,5...4,5 V inverse dual | | | | | | | |
| Special model | | | | | | | | |
| X | Special / customer specified | | | | | | | |
| Attachments | | | | | | | | |
| Z01 | Bellow KMD 109 | | | | | | | 10300009 |
| Z02 | Bellow KMD 190 | | | | | | | 10300093 |
| Z03 | Rosette KBF 905 with 4 screws M5 x 15 necessary for bellow KMD 190 | | | | | | | 5209900404 |

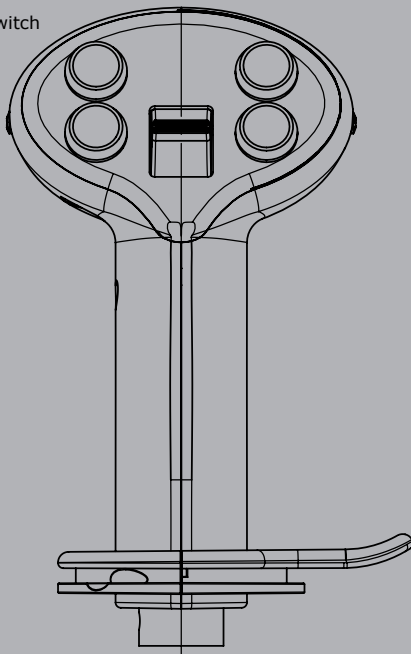


2

Edition:
Push button installed
Cross switch installed



Edition:
Hall rocker switch
Push button



Edition:
Multi-axis controller V21
Potentiometer drive PA9
Push button

